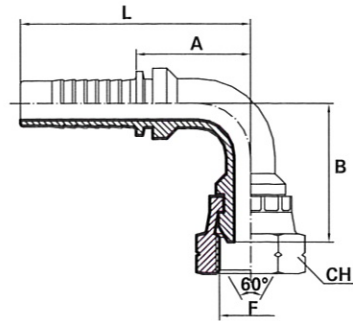


FEMMINA 90° METRICA SV 60° (1)

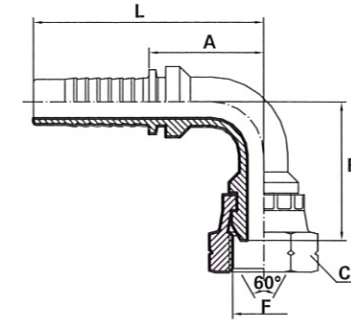
90° Metric Female swept elbow
60° cone
Femelle 90° métrique cône 60°
DKM 90° Bogen 60° Konus
Hembra métrica codo 90° asien-
to 60°



Codice Code Référence Bestell Nr. Código	Tubo Dimensions Dimensions Masszahlen Dimensiones		Filetto Thread Filet Gewinde Rosca	Dimensioni Dimensions Dimensions Masszahlen Dimensiones					Pressione Pressure Pression Presión Nenndruck	
	DN	Pollici In		Diam. Size	F	CH	B ≈	A ≈	L ≈	PN Bar
F90M0310	5	3/16"	03	M10 x 1	15	29	23	47.5	350	5000
F90M0312	5	3/16"	03	M12 x 1.5	17	29	23	47.5	350	5000
F90M0410	6	1/4"	04	M10 x 1	15	29	23	51	350	5000
F90M0412	6	1/4"	04	M12 x 1.5	17	29	23	51	350	5000
F90M0414	6	1/4"	04	M14 x 1.5	19	29	23	51	350	5000
F90M0416	6	1/4"	04	M16 x 1.5	22	32	23	51	350	5000
F90M0418	6	1/4"	04	M18 x 1.5	22	32	23	51	350	5000
F90M0514	8	5/16"	05	M14 x 1.5	19	33.5	31.5	59.5	350	5000
F90M0516	8	5/16"	05	M16 x 1.5	22	35.5	31.5	59.5	350	5000
F90M0518	8	5/16"	05	M18 x 1.5	22	35.5	31.5	59.5	350	5000
F90M0614	10	3/8"	06	M14 x 1.5	19	37	33	63	350	5000
F90M0616	10	3/8"	06	M16 x 1.5	22	38	33	63	350	5000
F90M0618	10	3/8"	06	M18 x 1.5	22	38	33	63	350	5000
F90M0620	10	3/8"	06	M20 x 1.5	27	42	33	63	315	4570
F90M0622	10	3/8"	06	M22 x 1.5	27	42	33	63	315	4570
F90M0818	12	1/2"	08	M18 x 1.5	24	43	39	72	315	4570
F90M0820	12	1/2"	08	M20 x 1.5	27	45	39	72	315	4570
F90M0822	12	1/2"	08	M22 x 1.5	27	45	39	72	315	4570
F90M0824	12	1/2"	08	M24 x 1.5	30	47	39	72	250	3500
F90M0826	12	1/2"	08	M26 x 1.5	32	51	39	72	250	3500
F90M1026	16	5/8"	10	M26 x 1.5	32	56	49	85	250	3500

FEMMINA 90° METRICA SV 60° (2)

90° Metric Female swept elbow
60° cone
Femelle 90° métrique cône 60°
DKM 90° Bogen 60° Konus
Hembra métrica codo 90° asien-
to 60°



Codice Code Référence Bestell Nr. Código	Tubo Dimensions Dimensions Masszahlen Dimensiones		Filetto Thread Filet Gewinde Rosca	Dimensioni Dimensions Dimensions Masszahlen Dimensiones					Pressione Pressure Pression Presión Nenndruck	
	DN	Pollici In		Diam. Size	F	CH	B ≈	A ≈	L ≈	PN Bar
F90M1027	16	5/8"	10	M27 x 1.5	32	56	49	85	250	3500
F90M1226	20	3/4"	12	M26 x 1.5	32	59	53.5	94.5	250	3500
F90M1227	20	3/4"	12	M27 x 1.5	32	59	53.5	94.5	250	3500
F90M1230 *	20	3/4"	12	M30 x 1.5	36	63	53.5	94.5	-	-
F90M1638 *	25	1"	16	M38 x 1.5	46	72	73	128	-	-
F90M2045 *	32	1.1/4"	20	M45 x 1.5	50	89	93	150	-	-
F90M2452 *	40	1.1/2"	24	M52 x 1.5	55	110	99	170	-	-

*DADO SFILABILE
REMOVABLE NUT